
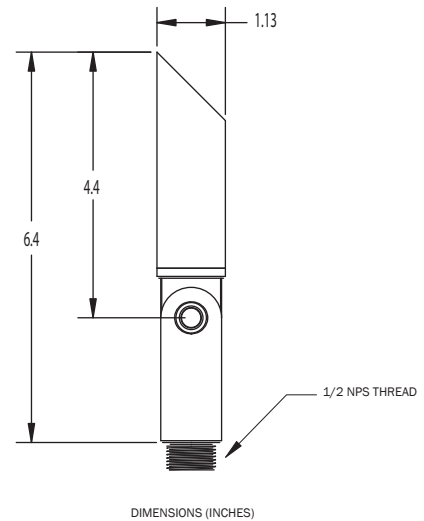


SPECIFICATION

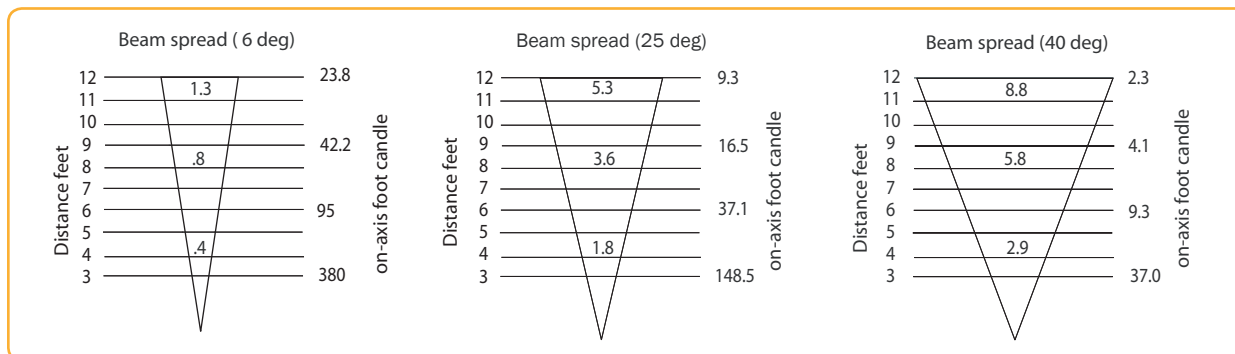
REMOTE TRANSFORMER REQUIRED

Light Source	Single High-brightness LED (Light Emitting Diode)
LED Rated Life	50,000 hours average *
Input Voltage	8 to 15 Vac/Vdc
Power Consumption	3.7 Watts
Standard LED Color	3000K CCT Typical
CRI	80 Typical
Optic	Optical Grade PMMA TIR Reflector
Material	6061-T6 Aluminum, Brass, Copper
Fasteners	Stainless steel hardware
Standard Mounting	1.5 inch schedule 40 PVC Post and ABS cap
Operating Temperature	-31F to 122F (-35C to 50C)
Certification	UL1838  3096671



*LED life is defined as the time to 70% lumen maintenance (L70)

PHOTOMETRIC



ORDERING GUIDE

Prefix	Material	LED Color	Optic	Finish
XT	[AL] Aluminum [BR] Brass [CU] Copper	[WW] Warm White [CW] Cool White [AM] Amber	[N] Narrow 6° [M] Medium 25° [W] Wide 40° [VW] Very Wide 70° [F] Flood 90°	[N] Natural (Brass and Copper) [BK] Black [WT] White [BN] Brown [GN] Green [NK] Nickel [C] Custom

