




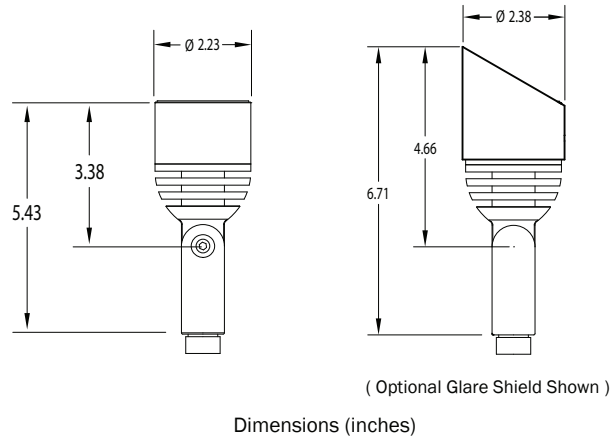
TriPalm

Low Voltage LED Luminaire
 REMOTE LOW VOLTAGE TRANSFORMER REQUIRED

Type:
Project:

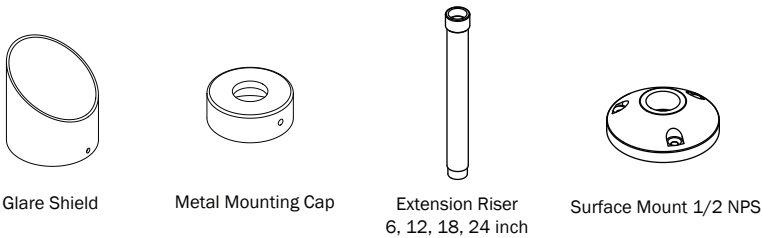
Specification

Light Source	High-brightness LED
LED Rated Life	50,000 hours average *
Input Voltage	11 to 15 Vac
Power Consumption	8.4 Watts
Standard LED Color	3000K CCT Typical
CRI	80 Typical
Lens Cover	1/8" Clear Tempered Glass
Available Materials	6061-T6 Aluminum, Brass, Copper
Fasteners	Stainless steel
Standard Mounting	PVC Post, Black ABS Cap, 1/2 NPS
Operating Temperature	-31F to 130F (-35C to 54C)
Maintenance	Field serviceable driver and LED module
Certification	UL1838  3096671

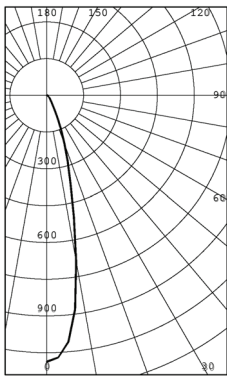


*LED life is defined as the time to 70% lumen maintenance (L70)

Accessories



Photometric



INTENSITY (CANDLEPOWER) SUMMARY		
ANGLE	MEAN CP	LUMENS
0	1087	
5	1010	86
10	688	
15	373	106
20	211	
25	107	51
30	52	
35	31	20
40	22	
45	16	12
50	11	
55	8	8
60	7	
65	5	5
70	3	
75	2	2
80	0	
85	0	0
90	0	

ZONAL LUMENS AND PERCENTAGES		
ZONE	LUMENS	% LUMINAIRE
0-30	244	83.81
0-40	264	90.84
0-60	284	97.79
0-90	291	100.00
40-90	27	9.16
60-90	6	2.21
90-180	0	0.00
0-180	291	100.00

Report No.: 26852
 Luminaire: TriPalm 30deg
 Luminaire Output: 291 lms
 Wattage: 8.4 Watts
 EFFICACY (LUMENS PER WATT): 34.6
 Warm White

Ordering Guide

TP					
Prefix	Housing	LED Color	Driver Location	Beam Spread	Finish
AL - Aluminum	BR - Brass	CW - Cool White 5500K	INT - Internal	N10 - Narrow 10deg	N - Natural (Brass and Copper Only)
CU - Copper	AM - Amber	RD - Red	EXT - External	M30 - Medium 30deg	BK - Black Powder Coat
	GN - Green	BL - Blue		W45 - Wide 45deg	WT - White Powder Coat
				FL90 - Flood 90deg	BN - Brown Powder Coat
					GN - Green Powder Coat
					NK - Nickel (Brass Only)
					CA - Clear Anodize (Aluminum Only)
					JC - Custom



2380 Camino Vida Roble, Ste. H, Carlsbad, CA 92011
 760-431-8982 760-431-8090 Fax
 www.dglights.com info@dglights.com



Document Number: S-TPV3
 Released Date: 01-15-11

Due to continuous improvement, DG Lights reserves the right to make any variation in design or construction without notice.